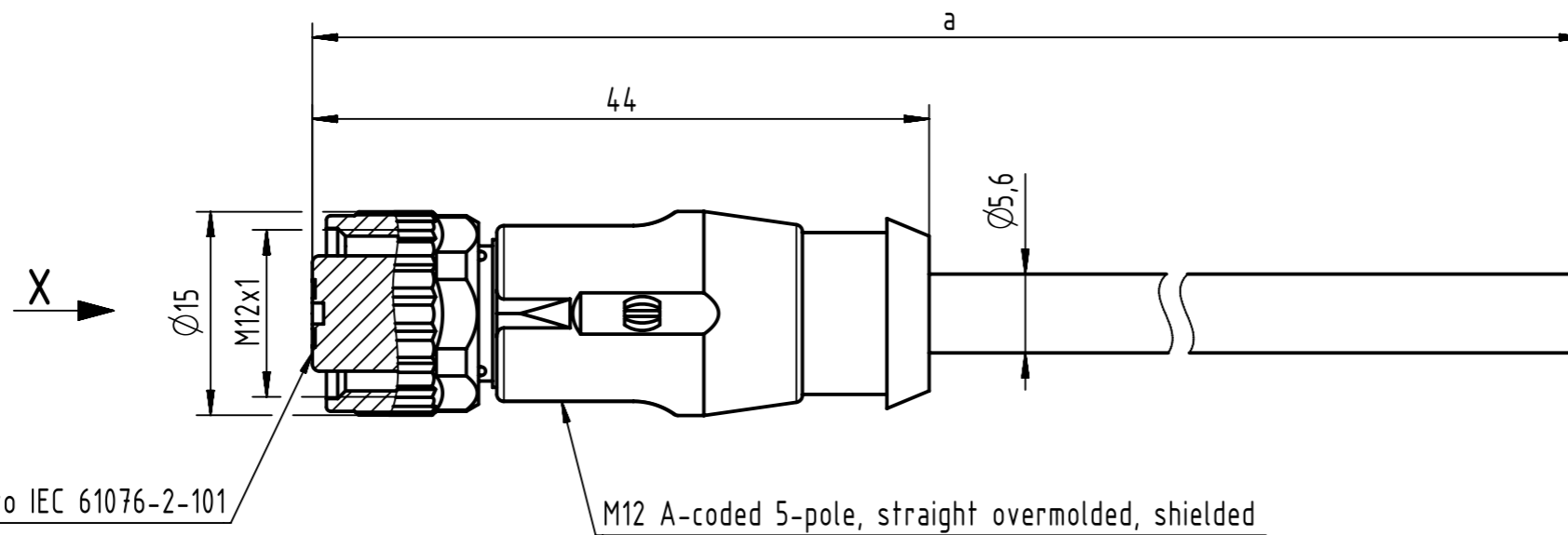
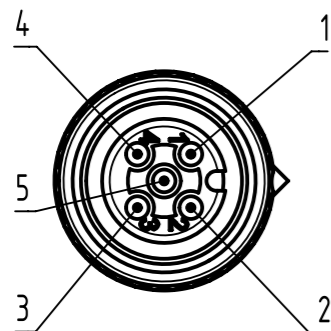


Connector Location A

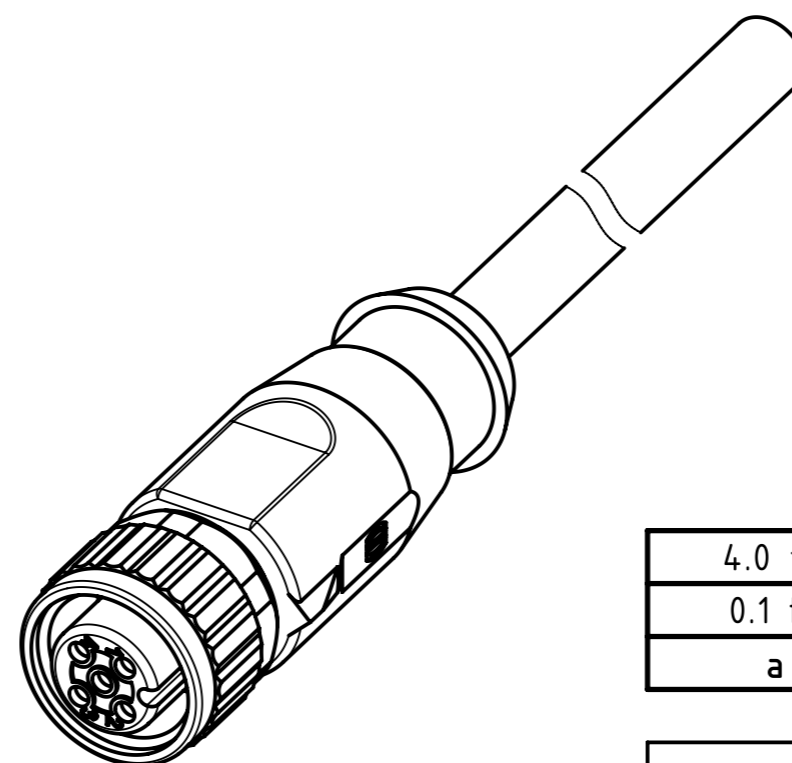
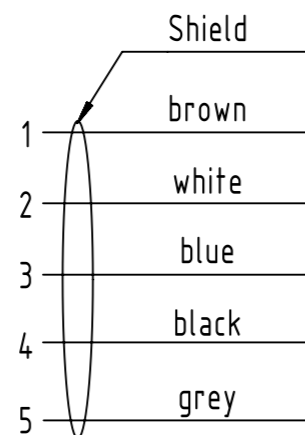
Connector Location B



X female



Loading Plan



4.0 to 100	±1%
0.1 to 3.9	+0.04
a [m]	Tolerance

length in "1m" step	100	XXX=000
	99	XXX=990
	.	.
	12	XXX=120
	11	XXX=110
length in "0.1m" step	10	XXX=100
	9.9	XXX=099
	9.8	XXX=098
	.	.
	0.4	XXX=004
	0.3	XXX=003
	0.2	XXX=002
0.1	XXX=001	
Step	a [m]	XXX

PUR black, 5x0.34mm ²	21347500568XXX
Type of cable	Part no.

- Protection level: IP67
 - Temperature range: -25°C ... +80°C

	All rights reserved	Created by STOCHECIC Stocheci	Inspected by COSTEA Costea	Standardisation MUNTEANV Muntean	Date 2019-03-27	State Final Release
HARTING Customised Solutions D-32339 Espelkamp		Title M12 A-cod st/- f/- shld.		Doc-Key / ECM-Nr. 100656562/UGD/013/D 500000149491		Rev. D
		Type TB	Number 21347500568XXX		Page 1/1	